

Features

- Supports eight cameras
- Acquire multi-megapixel still images and high-definition video
- Data recording, pre-processing, compression, and playback handled by DVR
- Supports pre-programmed command sequencing
- JPEG and Huffman lossless compression
- JPEG2000, JPEG-LS, or H.264 Compression Available as a Custom Add-On
- Automatic Gain/Exposure Control
- Custom post-processing functions available
- 8, 16, or 32GB non-volatile image buffer
- 128 MB volatile buffer
- Redundant LVDS or RS-422 serial data interfaces
- Supports custom data interface protocols
- Radiation-tolerant design

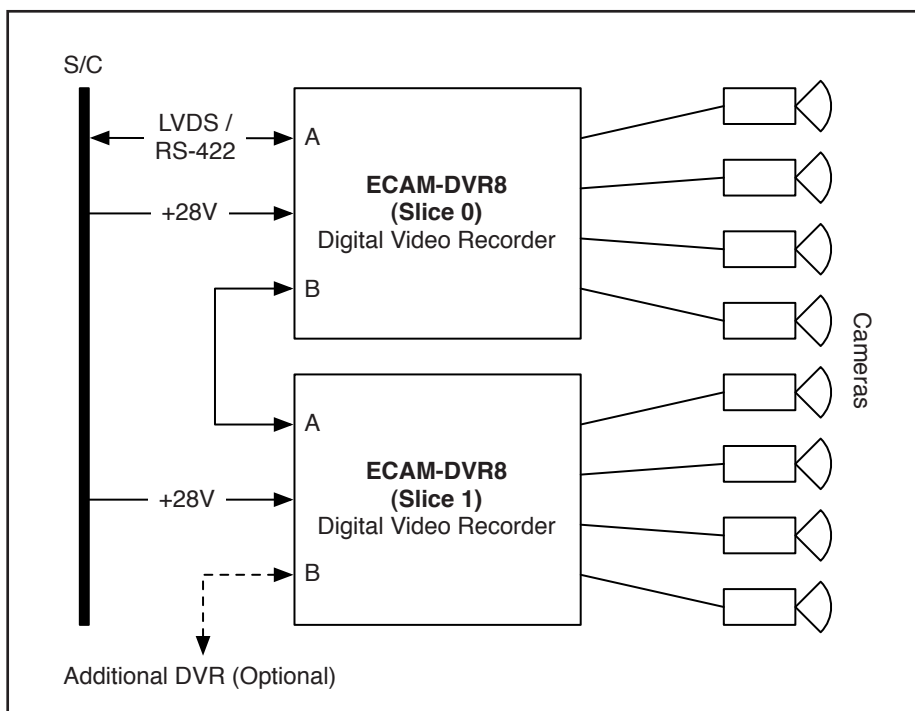
ECAM-DVR8

Digital Video Recorder, 8-Port



ECAM-DVR8

The 8-Port Digital Video Recorder (DVR8) provides command sequencing, image processing, compression, and storage. Each DVR8 is a stack of two DVR4 slices in a single package to support up to eight ECAM cameras. The data interfaces for the two slices may be linked to interface all eight cameras to the spacecraft with a single data interface. .

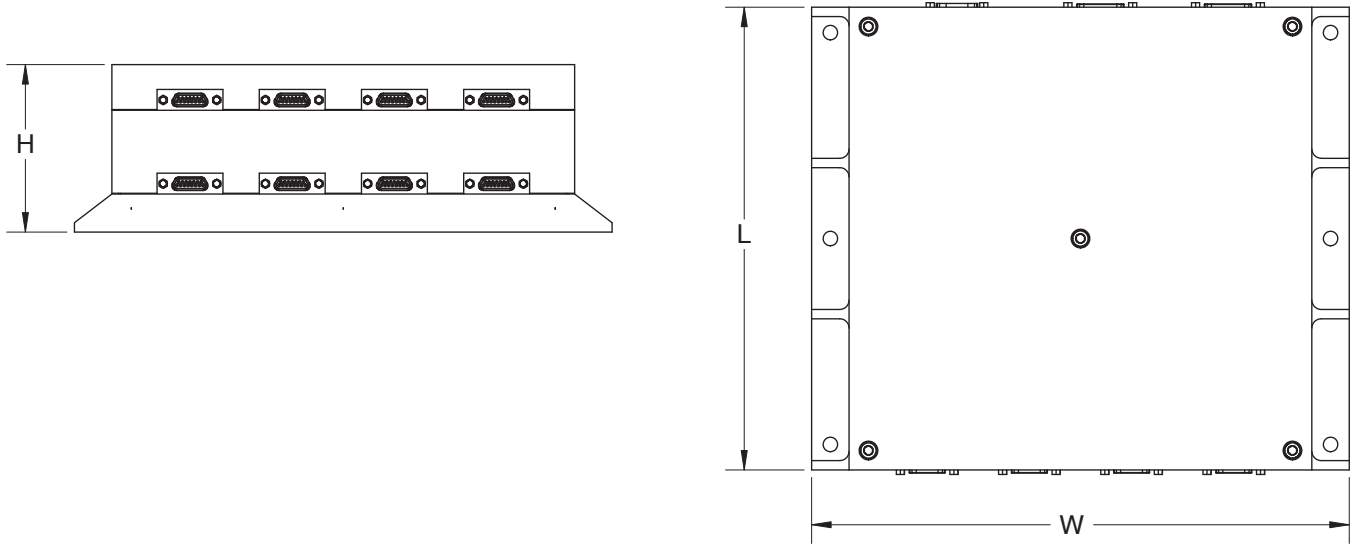


ECAM-DVR8 Application

The DVR8 can playback recorded images and video upon command. Simple command sequences can also be pre-programmed for automatic execution when power is applied, reducing spacecraft overhead and allowing the DVR8 to operate in a stand-alone mode.

The spacecraft data interface may be configured for Spacewire or any custom serial interface definition, synchronous or asynchronous, that utilizes up to eight RS-422 or LVDS signals in each direction.

The DVR8 hardware is an advanced derivative of the heritage DVR1, utilizing some of the most sophisticated radiation-tolerant processing and memory technology available. All components are hi-reliability and radiation tolerant.



MSSS FACTS

Headquarters: **San Diego**
 Type: **Small Business**
 Quality: **ISO9001:2008 Compliant**
 DUNS Number: **62-680-9032**
 CAGE Code: **OR9V5**
 NAICS Codes: 333316, 336419, 541512, 541690, 541712, 927110

Version: 20130506
 ©2013 Malin Space Science Systems
 All copyright and trademark rights reserved

Parameter	ECAM-DVR8
Mass	1970 g
Dimensions	183(W) x 157(L) x 63(H) mm
Power Consumption	9.75 W (idle) for each of two 4-port slices 13.5 W (imaging) for each of two 4-port slices
Imaging Modes	Monochrome, Color (RGB or YCbCr 4:2:0)
Pixel Rate	20 Mpixel/s
Buffer Size	8, 16, or 32GB Non-Volatile, 128 MB Volatile (for each of two 4-port slices)
Preprocessing	RGB Bayer Pattern to YCbCr Interpolation
Compression	JPEG (Lossy), Huffman (Lossless) JPEG2000, JPEG-LS, or H.264 Available Custom
Data Interface	LVDS/Spacewire or RS-422
Supply Voltage	28 V
Design Life	Nominal 10 year (radiation determined)
Radiation Dose	5 years (GEO)
Recommended Operating Temperature	-45°C to 60°C